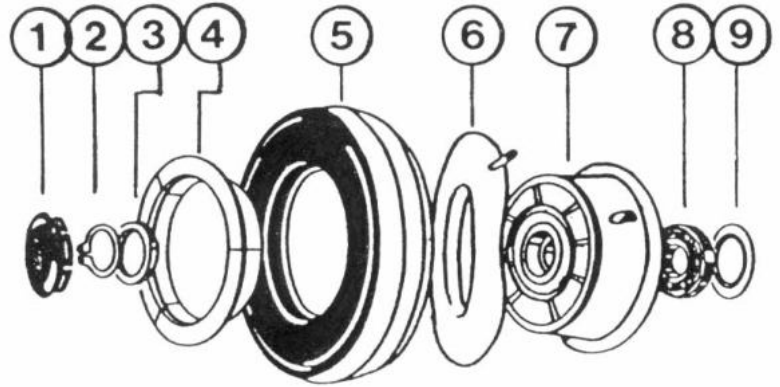
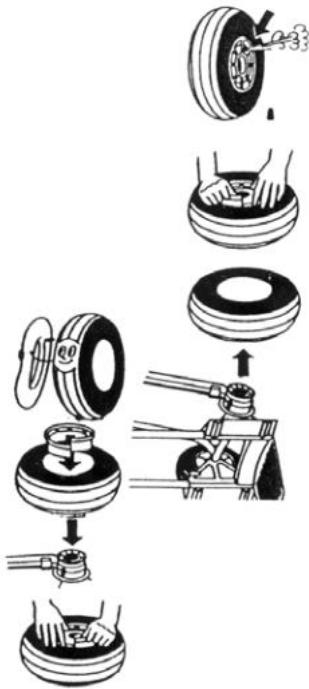


Mounting/dismounting wheel: change of spare parts



Detach wheel cover (1) and Seeger circlip ring (2) with Seeger tongs. Take the wheel off the axle. Take care that the ball bearing cover (9) and the distance ring (3) will not get lost.

Replace defective parts and reassemble parts in reverse order.

Sender: _____

Department: _____

Responsible: _____

E-Mail: _____

Phone: _____

Fax: _____

Your order no.: _____

Your cost centre no.: _____

Qty.	Diagram no.	Description	Part no.
	1	Wheel cover, black	301 3 028
	2	Snap ring	401 4 533
	3	Washer 5 mm blue	301 3 012
	4	Tire clasp, red	301 3 042
	4a	T for wheel no. 24	301 3 044
	5	Wheel tyre for wheel 21, radial tread, black	880 0 221
	6	Tube ø 260 mm	880 0 301
	4+7, 2x8	exlan rim, complete	880 0 420
	8	Precision ball bearing 25 mm	401 4 526
	9	Ball bearing cover, blue	301 3 543

Date, sign/stamp



KS Gruppen®
Blickle | vi skaber mobilitet